

SM & SMC

Stand Alone & Cascadable Multiswitch Equipments

Individual or collective TV installations, terrestrial and satellite



SM. Stand Alone Multiswitches

SMC. Cascadable Multiswitches



4, 8 or 16 Sat-IF polarizations plus Terrestrial to 4, 8, 12 or 16 users



A single model for all levels (depending of number of input)



Star distribution



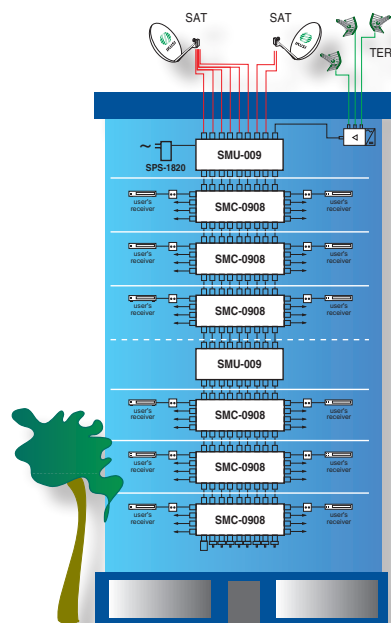
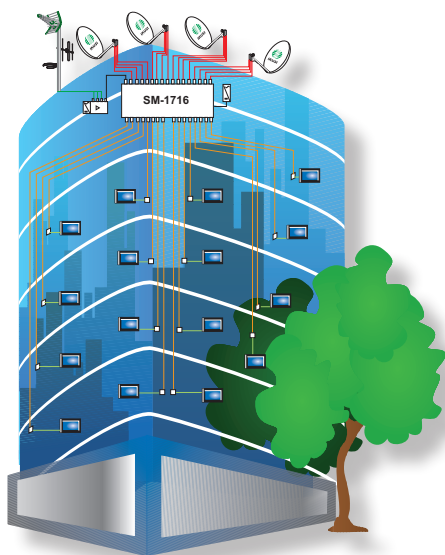
External power supply



Input control gain



Application Examples



STAND ALONE MULTISWITCHES

Model			SM-0508	SM-0512	SM-0516	SM-0904	SM-0908	SM-0912	SM-0916	SM-1708	SM-1712	SM-1716	
Ref.			3275	3276	3277	3278	3279	3280	3281	3282	3283	3284	
Frequency Range	SAT TERR	MHz	950 - 2150	950 - 2150	950 - 2150	950 - 2150	950 - 2150	950 - 2150	950 - 2150	950 - 2150	950 - 2150	950 - 2150	
			47 - 862	47 - 862	47 - 862	47 - 862	47 - 862	47 - 862	47 - 862	47 - 862	47 - 862	47 - 862	47 - 862
Line Inputs			4 Sat+1TV	4 Sat+1TV	4 Sat+1TV	8 Sat+1TV	8 Sat+1TV	8 Sat+1TV	8 Sat+1TV	16 Sat+1TV	16 Sat+1TV	16 Sat+1TV	
Salidas de derivación			8	12	16	4	8	12	16	8	12	16	
Adjusting Range (attenuation)	SAT TERR	dB	0-20			0-20			0-20			0-20	
			0-20			0-20			0-20			0-20	
Tap loss	SAT TERR	dB	1 (±2.5)	0 (±2.5)	0 (±2.5)	0 (±2.5)	0 (±2.5)	1 (±2.5)	1 (±2.5)	1 (±2.5)	1 (±2.5)	1 (±2.5)	
			1 (±2.5)	0 (±2.5)	1 (±2.5)	1 (±2.5)	0 (±2.5)	1 (±2.5)	0 (±2.5)	0 (±2.5)	0 (±2.5)	0 (±2.5)	
I/O Isolation	SAT-SAT SAT-TER	dB	30			30			30			30	
			25			25			25			25	
Line I/O Return loss	SAT TERR	dB	8			8			8			8	
			8			8			8			8	
Output level	SAT TERR	dBµV	95			95			95			95	
			85			85			85			85	
Max Consumption			50	70	70	70	70	70	70	70	70	70	
Line and Tap connector type			F hembra			F hembra			F hembra			F hembra	
Operating temperature			-20 ... +60			-20 ... +60			-20 ... +60			-20 ... +60	

CASCADABLE MULTISWITCHES

Model			SMC-0904	SMC-0908	SMC-0916	SMC-1708	SMC-1716	
Ref.			3268	3269	3270	3272	3273	
Frequency Range	SAT TERR	MHz	950 - 2150				950 - 2150	
			47 - 862				47 - 862	
Line Inputs			8 Sat+1TV			16 Sat+1TV		
Trunk Output			8 Sat+1TV			16 Sat+1TV		
Tap Outputs			4	8	16	8	16	
Trunk Loss/Gain	SAT TERR	dB	-2 (±1)	-2.5 (±1)	-3.5 (±1)	-2.5 (±1)	-3.5 (±1)	
			-2 (±1)	-2 (±1)	-3 (±1)	-2 (±1)	-3 (±1)	
Adjusting Range (attenuation)	SAT TERR	dB	—				—	
			—				—	
Tap loss	SAT TERR	dB	0 (±2.5)	0 (±2.5)	0 (±2.5)	1 (±2.5)	1 (±2.5)	
			1 (±2.5)	1 (±2.5)	0 (±2.5)	0 (±2.5)	0 (±2.5)	
I/O Isolation	SAT-SAT SAT-TER	dB	30			30		
			25			25		
Line I/O Return loss	SAT TERR	dB	8			8		
			8			8		
Output level	SAT TERR	dBµV	95			95		
			85			85		
Max Consumption			70			70		
Connectors type			F hembra			F hembra		
Operating temperature			-20 ... +60			-20 ... +60		

AMPLIFIERS

SMU-009		SMU-017	
3285		3286	
950 - 2150			
47 - 862			
8 Sat+1TV		16 Sat+1TV	
—			
+20 ... +30			
+3 ... +18			
0-20			
0-20			
—			
—			
30			
25			
8			
8			
110			
105			
350		700	
F hembra			
-20 ... +60			

Note: SM Stand-alone multiswitches and SMU amplifiers are provided with power supply.

SMC Cascadable multiswitches don't need it, since they are powered through the descendants or users' receivers.

POWER SUPPLY UNIT

Model		SPS-1820
Ref.		3287
Mains voltage		90-240 VAC 50/60 Hz
Output voltage / current		18 VDC / 2A
Dimensions		5.5 x 2.1 x 10 mm



Follow us in:

www.youtube.com/ikusitv



SEDE CENTRAL

IKUSI - Ángel Iglesias S.A. · Pº Miramón, 170 · 20009 San Sebastián · SPAIN
Tel.: +34 943 44 88 00 · Fax: +34 943 44 88 20 · television@ikusi.com · www.ikusi.com

