

C-1081

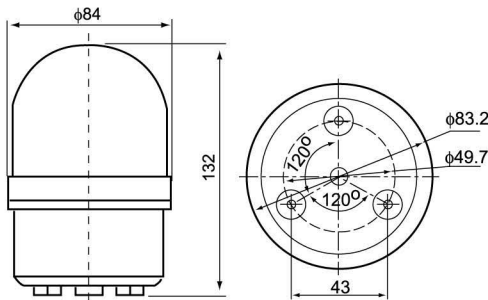
LED Electronic Principles rotation
Steady / Flashing Light



- Red
- Orange
- Green
- Blue



External View Drawing



- High brightness LED type
- Sound can be customized
- Circular chassis with fixed, making installation easier.
- Principles of using high-tech electronic transfer
- In case of product using AC voltage, 12V to 24V DC 220V power supply line is employed
- Material: Lens-PC, Body-ABS
- Certification: CE
- Protection class: IP30

Model	Voltage	Current	Weight	Flashes Per Min.	Color
C-1081LED	DC12V	0.090A	0.34Kg	60-80/ Per Min.	■ R
	DC24V	0.080A	0.34Kg		■ O
	AC110V	0.042A	0.51Kg		■ G
	AC220V	0.021A	0.51Kg		■ B

C-1081LED Series

Model	Voltage	Color	Sound
-------	---------	-------	-------

C-1081LED	12V	■ Red	J
C-1081LED	24V	■ Orange	J
C-1081LED	110V	■ Green	J
C-1081LED	220V	■ Blue	J

Model	Voltage	Color	Sound
-------	---------	-------	-------

C-1081LED	12V	■ Red	J
C-1081LED	24V	■ Orange	J
C-1081LED	110V	■ Green	J
C-1081LED	220V	■ Blue	J

Model	Voltage	Color	Sound
-------	---------	-------	-------

C-1081LED	12V	■ Red	J
C-1081LED	24V	■ Orange	J
C-1081LED	110V	■ Green	J
C-1081LED	220V	■ Blue	J

Model	Voltage	Color	Sound
-------	---------	-------	-------

C-1081LED	12V	■ Red	J
C-1081LED	24V	■ Orange	J
C-1081LED	110V	■ Green	J
C-1081LED	220V	■ Blue	J