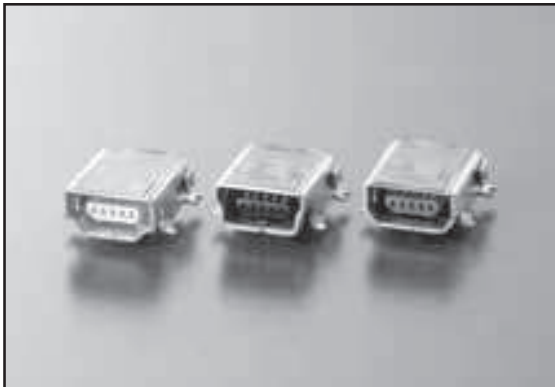


DX2/3 SERIES CONNECTORS

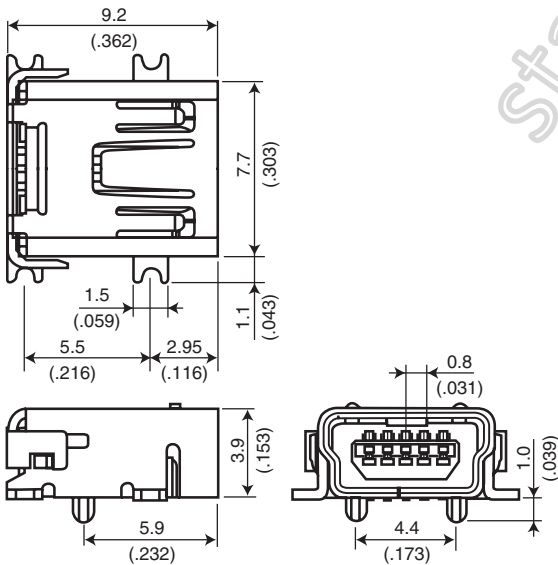
0.80mm (0.031") Contact Spacing, PCB-to-Cable Connectors



FEATURES

- Conform to USB 2.0 specification
- DX2 is Type B and DX3 is Type AB
- Embossed tape for automatic mounting
- Kapton tape for easy absorption during automatic mounting
- Positioning bosses for board mounting

Connector Profile (Ref.)



The DX2 and DX3 series are JAE's mini USB connectors that conform to USB 2.0 standards. The DX2 is the Type B and the DX3 is the Type AB. The DX2 and DX3 series are 0.8mm (0.031") pitch connectors and are available in five positions. A polyester film tape is used for easy attachment at automatic mounting. Positioning bosses are used for board mounting. Applications include compact portable devices such as PDAs, DSCs, mobile phones, and various peripheral devices.

GENERAL SPECIFICATIONS

Number of Contacts	5 pos.
Contact Spacing	0.80mm (0.031")
Contact Resistance	50 milliohm max. (initial)
Dielectric Withstanding Voltage	100VAC r.m.s. (for one minute)
Insulation Resistance	100 megohms min. (initial)
Rated Current	1.0A
Rated Voltage	30VAC r.m.s.
Operating Temperature	-20°C to +60°C
Lifetime	5,000 cycles

MATERIALS AND FINISHES

Description	Materials/Finishes
Contact	Copper Alloy Contact: Gold plating over Nickel (0.76µm min.) Terminal: Tin/Copper flash over Nickel
Insulator	Glass filled nylon
Shell	Copper Alloy/Tin Main unit: Tin plating over Nickel Through-hole position: Tin plating over Nickel

ORDERING INFORMATION

	DX*	R	005	H	N	2	E700
Series	_____						
DX2 – type B	_____						
DX3 – type AB	_____						
Contact Type	_____						
R – Receptacle	_____						
No. of Contacts	_____						
005 – 5 pos.	_____						
Mounting	_____						
H – With hold-down	_____						
Finishes	_____						
N – Contact portion: more than 0.76µm Gold plating, Soldering portion: Tin-Copper	_____						
Modification Code	_____						
Embossed Tape	_____						
E700 – 700 pcs/reel	_____						

Dimensions in mm (inches).

