

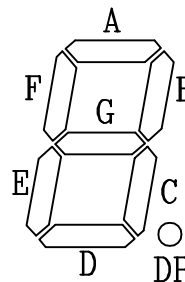
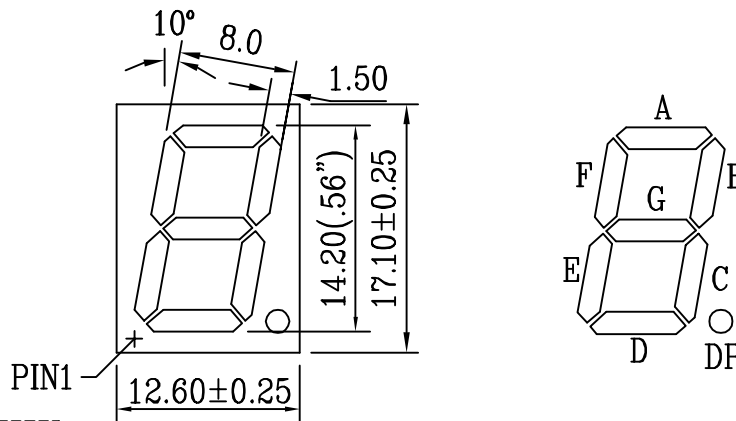


TAIWAN OASIS LED DATA SHEET

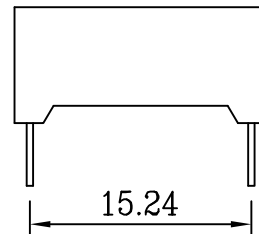
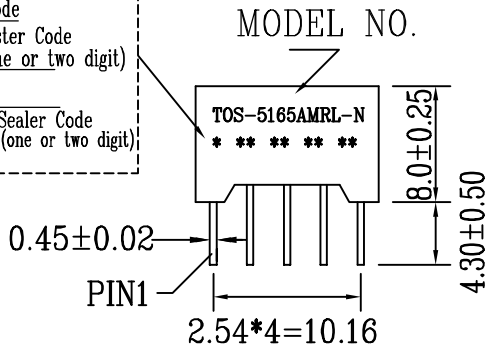
PART NO. : TOS-5165AMRL-N

APPEARANCE			TECHNOLOGIE	AlGaInP/GaAs
FACE	SEGMENT	FLAT PIN	SOURCE COLOR	Ultra-red
Gray	White	∅0.45*10.28	DRIVER MODE	Com. Cathode
			PACKING	Tube(5165)

PACKAGE DIMENSIONS

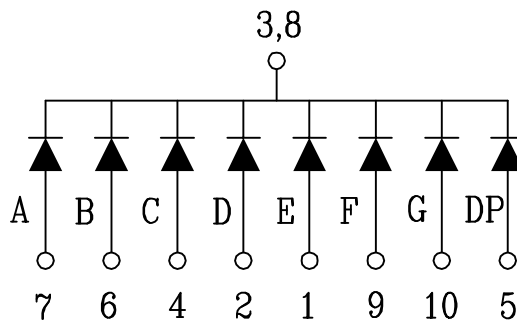


Remark:
 Year Code Week Code
 * * * * * * * * * *
 Production-Lines Code Tester Code (one or two digit)
 * * * * * * * * * *
 Sealer Code (one or two digit)



NORMAL TOLERANCE:±0.25 ANGLE:±1°

INTERNAL CIRCUIT DIAGRAM



DATE	08/05/09'	SCALE	2:1	DRAWING NO.	S-5165AMRL-N-A	DRAWN	X.L	CHECKED	
UNIT	M/M	SHEET NO.	1/2			DESIGN		APPROVED	



TAIWAN OASIS LED DATA SHEET

PART NO. : TOS-5165AMRL-N

ABSOLUTE MAXIMUM RATINGS AT TA=25°C

PARAMETER	VALUE	UNITS
Power Dissipation Per Segment	75	mW
Peak Forward Current Per Segment (1/10 Duty Cycle, 0.1ms Pulse Width)	80	mA
Continuous Forward Current Per Segment	20	mA
Recommend Operating Current	12	mA
Reverse Voltage Per Segment	5	V
Operating Temperature Range	-25 to +85	°C
Storage Temperature Range	-30 to +85	°C
Junction Temperature	>85	°C
Lead Free Sold Temperature(1/16 Inch Below Seating Plane)	260°C for 3 sec.	

ELECTRICAL/OPTICAL CHARACTERISTICS AT TA=25°C

PARAMETER	SYMBOL	MIN.	TYP.	MAX.	UNITS	TEST CONDITION
Luminous Intensity Per Segment	I _v		15524		μcd	I _F = 10mA
Dominant Emission Wavelength	λ _d		640		nm	I _F = 20mA
Spectral Line Half-Width	Δλ		15		nm	I _F = 20mA
Forward Voltage Per Segment	V _F	1.8	2.0	2.3	V	I _F = 20mA
Reverse Current Per Segment	I _R			100	μA	V _R = 5V
Luminous Intensity Matching Rate	I _v -m			2.0:1		I _F = 20mA

Notes: Above specification may be changed without notice.

DATE	08/05/09'	SCALE	———	DRAWING NO.	S-5165AMRL-N-A	DRAWN	X.L	CHECKED	
UNIT	———	SHEET NO.	2/2			CUSTOMER		APPROVED	