



Features

- 15A high switching capability.
- Sealed type available.
- Low coil power consumption.
- TV rating certified.

Safety Approval

UL, C-UL File No.: E190598

TUV File No.: R50139131

CQC File No.: CQC02001002126

Contact Capacity

Model	SRU
Nominal switching capacity (res. load)	10A 250VAC
Max. switching current	15A
Max. switching voltage	250VAC
Max. switching power	2500VA

Charateristic Data

Contact material	Silver alloy	
Initial contact resistance (at 6VDC 1A)	50mΩ Max.	
Operate time (at nominal volt.)	15msec. Max.	
Release time (at nominal volt.)	5msec. Max.	
Initial insulation resistance	100MΩ Min.(DC500V)	
Initial dielectric strength	Between open contacts: AC1,000V, 50/60Hz 1Min.	
	Between coil and contact: AC1,500V, 50/60Hz 1Min.	
Vibration resistance	Functional	10 ~ 55Hz at double amplitude of 1.5 mm
	Destructive	10 ~ 55Hz at double amplitude of 1.5 mm
Shock resistance	Functional	10G Min.
	Destructive	100G Min.
Endurance (operations)	Mechanical (at 10,800 ops./h)	10,000,000
	Electrical (at 1,800 ops./h)	100,000
Ambient temperature	-40°C ~ +105°C (no condensation)	
Unit weight	Approx. 12.5 g	

Coil Data (at 20°C)

Nominal voltage (VDC)	Nominal operating current ± 10% (mA)	Coil resistance ± 10% (Ω)	Max. allowable voltage	Pick-up voltage (Max.)	Drop-out voltage (Min.)	Nominal operating power
3	150.00	20	130 % of nominal voltage	75 % of nominal voltage	5 % of nominal voltage	Approx. 0.45W
5	89.28	56				
6	75.00	80				
9	50.00	180				
12	37.50	320				
18	25.00	720				
24	18.75	1,280				
48	9.38	5,120				

Coil Data (at 20°C)

Nominal voltage (VDC)	Nominal operating current ± 10% (mA)	Coil resistance ± 10% (Ω)	Max. allowable voltage	Pick-up voltage (Max.)	Drop-out voltage (Min.)	Nominal operating power
3	120.00	25	130 % of nominal voltage	75 % of nominal voltage	5 % of nominal voltage	Approx. 0.36W
5	71.42	70				
6	60.00	100				
9	40.00	225				
12	30.00	400				
18	20.00	900				
24	15.00	1,600				
48	7.50	6,400				

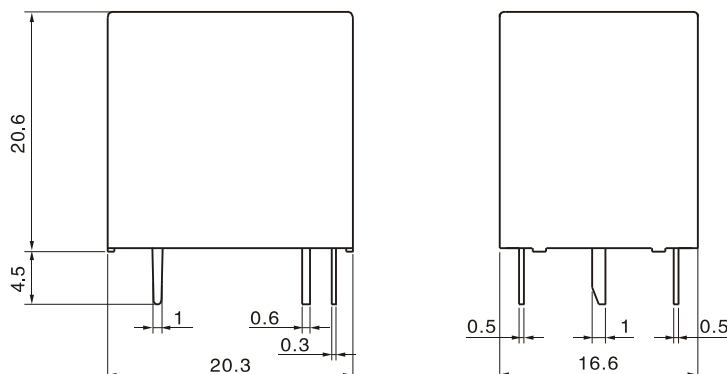
Safety Approval Ratings

Approval	CQC	TUV	UL/CUL
File No.	CQC02001002126	R50139131	E190598
Approved ratings	10A 250VAC	Form A/B: 10A 240VAC 10A 24VDC Form C: 10A/5A 240VAC 10A/5A 24VDC	15A 120VAC, Resistive 12A 120VAC, Resistive 12A 240VAC, Resistive, N.O. 12A 240VAC, General Use, N.O. 10A 240VAC, Resistive 10A 240VAC, General Use, N.O. 5A 240VAC, Resistive, N.C. 5A 240VAC, General Use, N.C. 4A 120VAC, General Use 7A 250VAC, Resistive 4A 24VDC, Resistive 10A 24VDC, Resistive 1/3HP 250VAC TV-5 120VAC Pilot duty: 240VA 240VAC

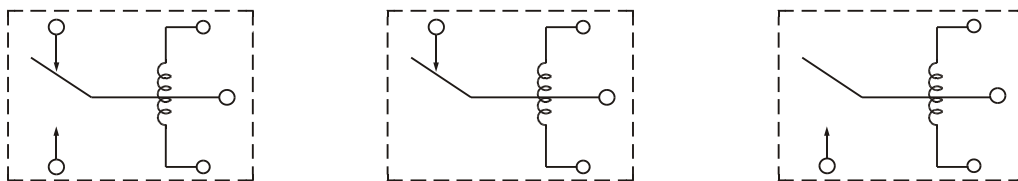
Ordering Information

Nomenclature	
SRU-S-1-12-D-M-1-F-XX	Special Parameter: Nil-Standard type, Letter or number-Special requirement
	Insulation System: Nil-Standard, B-Class B, F-Class F
	Contact Material: Nil-AgSnO ₂ , 1-AgCdO
	Contact Form: Nil-Form C, B-Form B, M-Form A
	Coil Power: D-0.45W, L-0.36W
	Coil Voltage (VDC): 03, 05, 06, 09, 12, 18, 24, 48
	Number of Poles: 1-1 Pole
	Protective Construction: S-Flux proofed, SH-Sealed type washable
	Type Designation: SRU

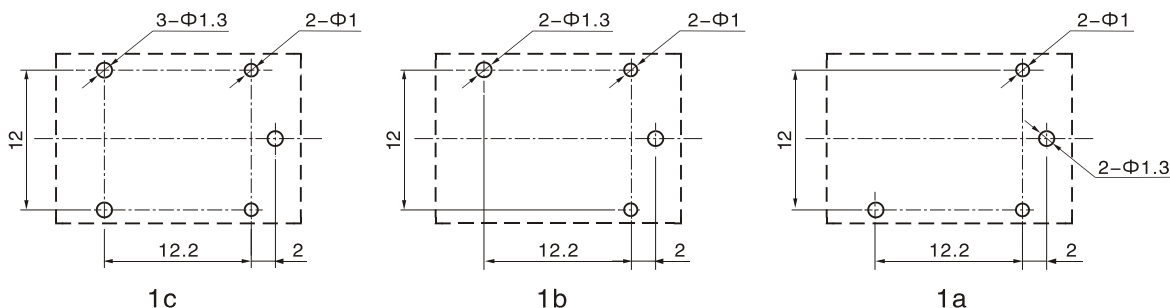
Outline Dimensions, Wiring Diagram, P.C. Board Layout (unit: mm)



Unless otherwise specified:
 If dimension < 1mm, tolerance: ± 0.2mm;
 If dimension 1-5mm, tolerance: ± 0.3mm;
 If dimension > 5mm, tolerance: ± 0.4mm.
 Note: 1. Extended terminal dimension is dimension before soldering.
 2. Tolerance of P.C.B. layout: ± 0.1mm.



Wiring Diagram (bottom view)



P.C.B. Layout (bottom view)

Typical Applications

- Home appliances
- Office equipment
- TV receiver, teleoperator
- Audio system
- Automation and instrument
- Automotive control device, etc.

Characteristic Curves

