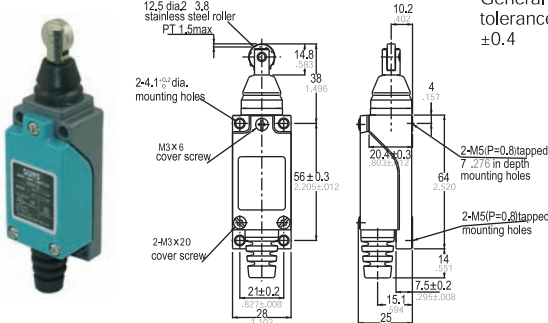


COMPACT LIMIT SWITCHES: AZ-8 SERIES



AZ-8112

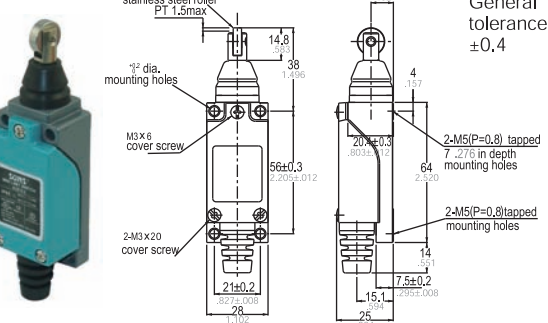
Operating Characteristics

OF _{max}	9N
RF _{min}	1.5N
PT _{max}	1.5mm
OT _{min}	4mm
MD _{max}	1.2mm
TT	5.5mm

Snap Action

13 14
21 22

General tolerance: ±0.4



AZ-8122

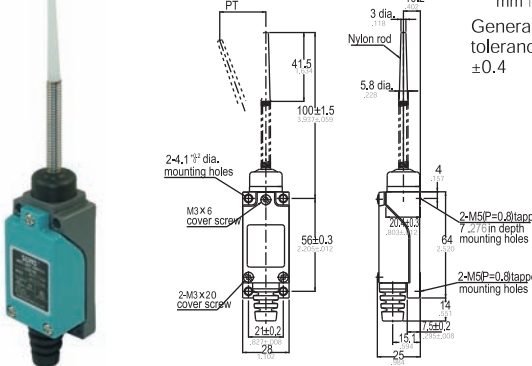
Operating Characteristics

OF _{max}	9N
RF _{min}	1.5N
PT _{max}	1.5mm
OT _{min}	4mm
MD _{max}	1.2mm
TT	5.5mm

Snap Action

13 14
21 22

General tolerance: ±0.4



AZ-8166

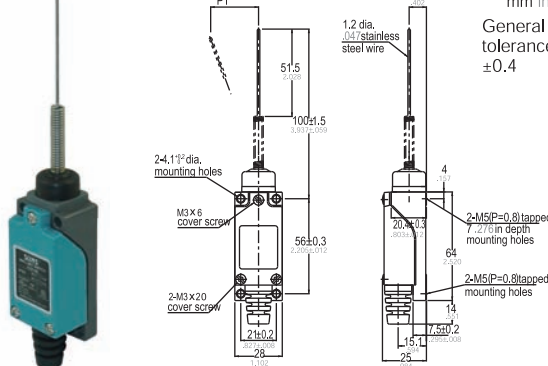
Operating Characteristics

OF _{max}	2N
PT _{max}	20°
OT _{min}	2°

Snap Action

13 14
21 22

General tolerance: ±0.4



AZ-8169

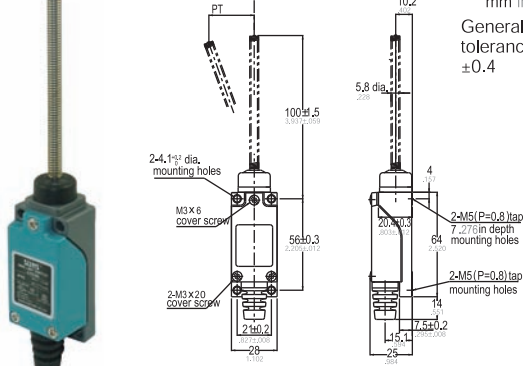
Operating Characteristics

OF _{max}	2N
PT _{max}	20°
OT _{min}	2°

Snap Action

13 14
21 22

General tolerance: ±0.4



AZ-8200

Operating Characteristics

OF _{max}	2N
PT _{max}	20°
OT _{min}	2°

Snap Action

13 14
21 22

General tolerance: ±0.4